



### What is Smart Cube?

Use your smartphone or tablet to lock, unlock, track and monitor your valuables at all times. Install the cube in a cabinet or drawer and effortlessly gain access to your protected materials through your smart device. It's an IoT connected device that's trackable, encrypted and secure.

### Smart Cube Features:

- Uses an accelerometer to know when your drawer or cabinet is being tampered with. An alarm sounds and you are notified via Smart Armor app.
- Be able to view your lock and unlock history through the app.
- Takes 100 lb-f to break open.
- Small and easy to install in cabinets and drawers.

### Software Features:

- Activity log to know when the cube locks, unlocks and is tampered with
- Real time battery status
- In range connectivity notification
- Add multiple cubes under one account.
- Encryption through backend and firmware to ensure secure access



## Technical Specifications

<b>Overall Dimensions</b> with Installation Collar, Pin, and Mounting Plate	3.0" x 1.6" x 1.9"
<b>Smart Cube Dimensions</b> without Collar, Mounting Plate, and Pin	1.6" x 1.6" x 1.5"
<b>Size of Mounting Plate</b>	1.9" x 1.5" x 0.5"
<b>Size of Pin</b>	1.2" x 1.2" x 1.8"
<b>Smart Cube Weight with battery</b>	2.3oz
<b>Battery</b>	Lasts 1 year with single 3V lithium-ion CR2 battery
<b>Operating Voltage</b>	3V
<b>Maximum Current Consumption</b>	100mA
<b>Phone System Requirements</b>	Bluetooth Version 4.2
<b>Operating Systems</b>	Apple iOS 8 plus Android 8.0 Oreo
<b>Language Support</b>	English
<b>Environmental Requirements</b>	Operating ambient temperature: 20-130°F Relative humidity: 80%
<b>Force Cube Can Withstand Before Breaking with 3M Tape</b>	100lb-f *Note that the cube can deal with a larger force when the base is screwed down.*



**Surfaces 3M VHB tape can be mounted on**

Painted metal  
Plastics  
Glass  
Acrylic  
Polycarbonate  
Wood

**In a Single SmartCube Box**

1 Smart Cube  
10 #4 Wood Screws  
1 Extra mounting plate  
1 Mounting bracket  
1 Mounting template  
1 CR2 battery  
1 Instruction booklet  
1 Alcohol pad  
1 Smart Armor emblem  
1 Hex key

**Lifetime of Product**

20,000 Cycles  
\*Note: 1 cycle is equal to 1 unlock and lock.\*

**Manufacturer Warranty**

365 days

**Manufacturer Part Number**

0118151-01

**Single SmartCube UPC**

867760000400

**Triple SmartCube UPC**

867760000419

**Country of Origin**

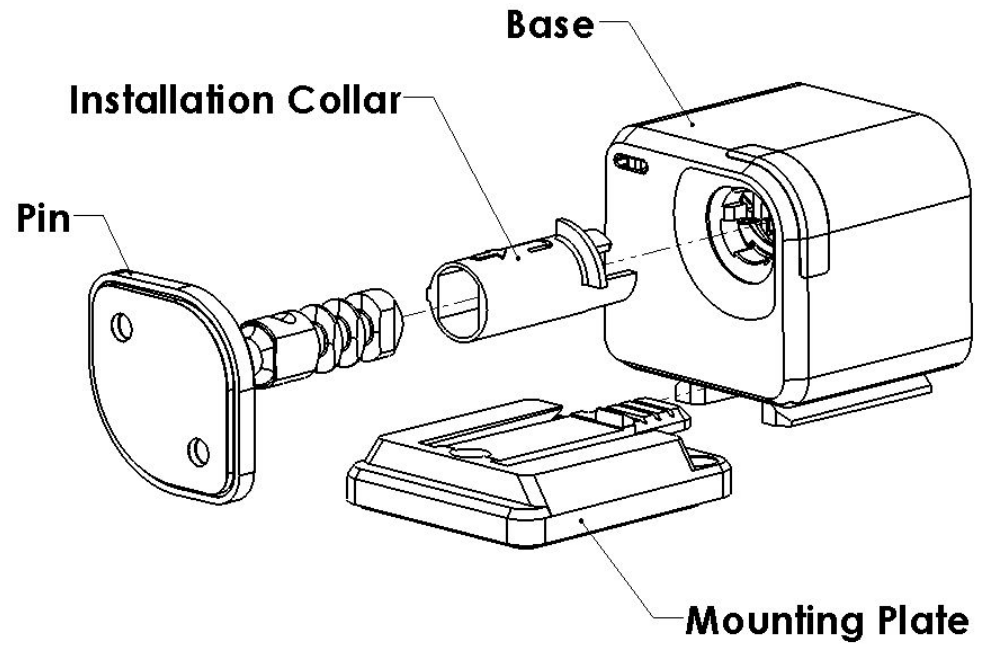
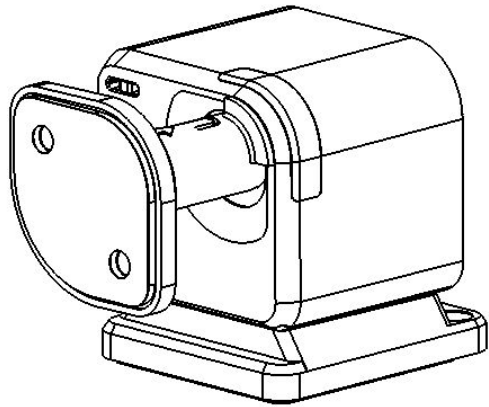
United States of America

**Certifications**

CE FC



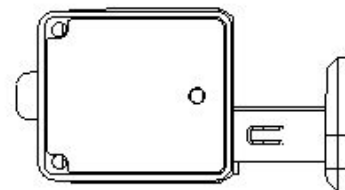
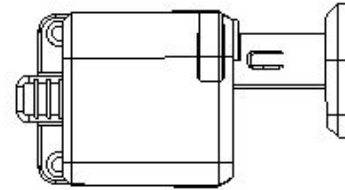
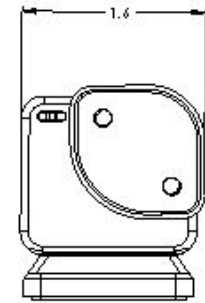
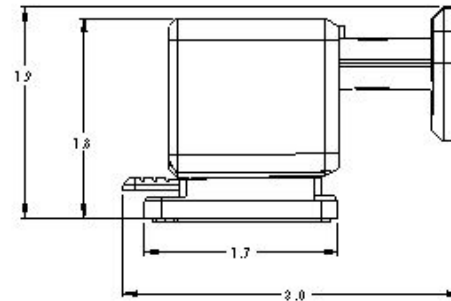
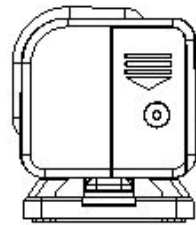
# Smart Cube Components



**Mechanical Specifications:**

**Pin with collar in cube for installation**

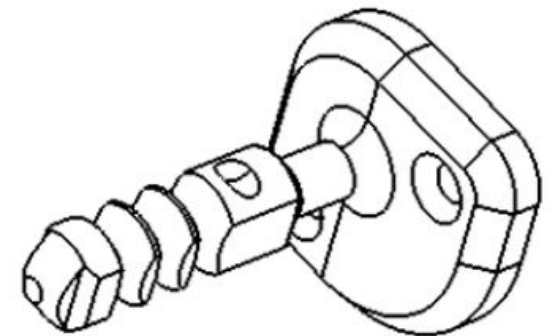
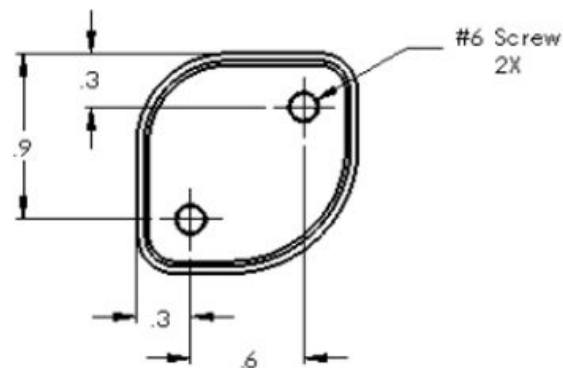
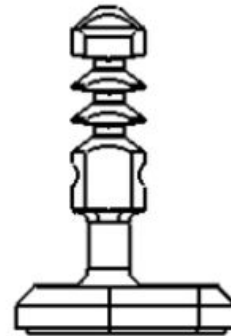
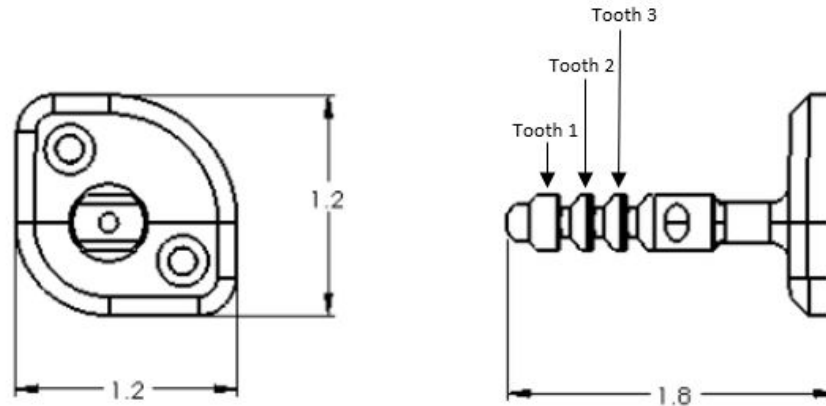
Size: 3.0in x 1.6in x 1.9in



\*Units are in inches

### Mounting the Pin

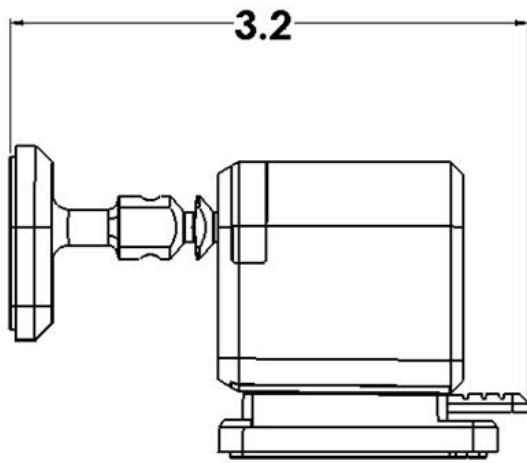
The pin can be mounted using the given VHB tape or a combination of the VHB tape and two #4 wood screws. The pin can be engaged in 3 locations: with 1 tooth, 2 teeth, or 3 teeth in the cube.



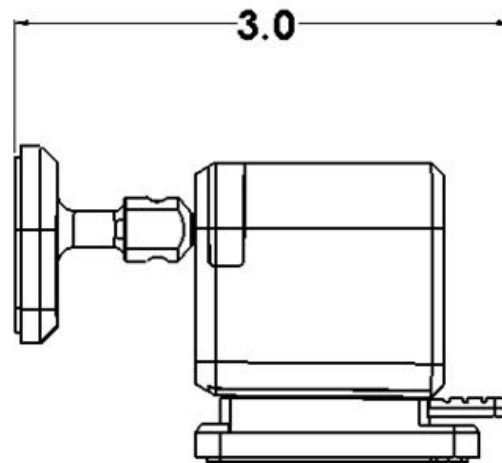
\*Units are in inches

## Mounting the Cube

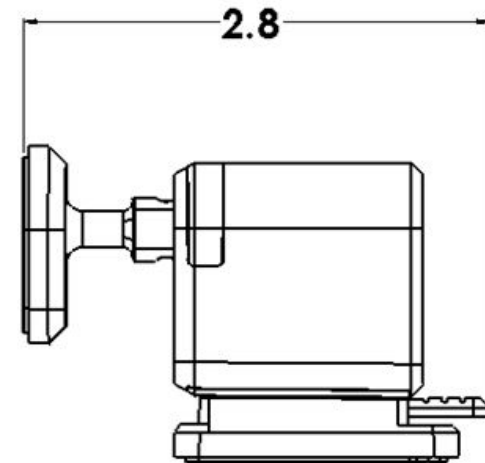
There are three configurations to mount the pin in the cube. Depending on how many teeth are installed dictates the total length of the installed cube. Installing with the mounting template and collar gives a two teeth engagement.



1 Tooth Engagement



2 Teeth Engagement

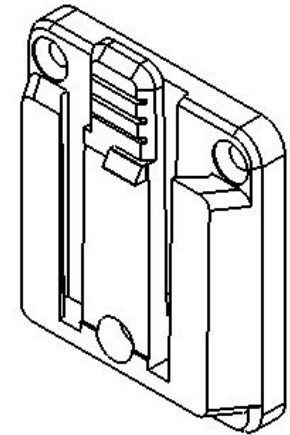
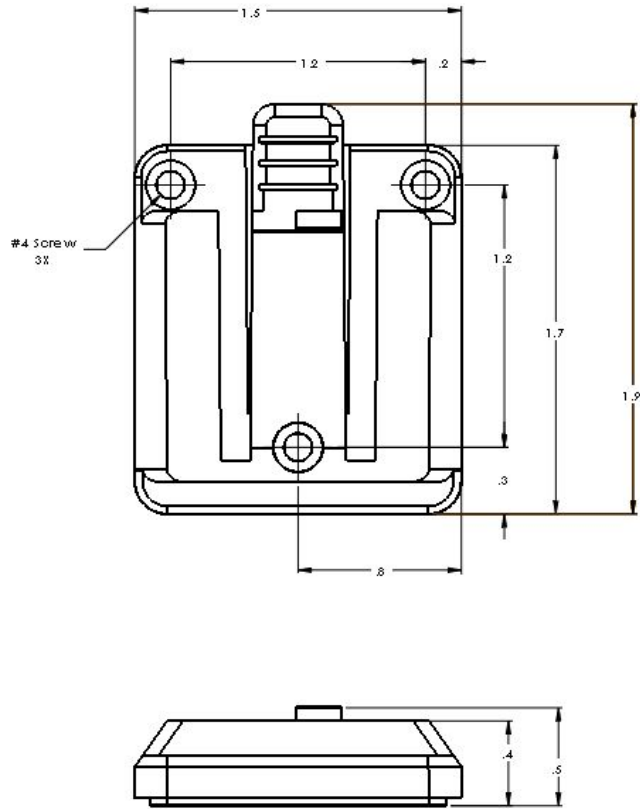


3 Teeth Engagement

\*Units are in inches

### Mounting the Base

The base can be installed by using the given VHB tape or a combination of the VHB tape and three #4 wood screws.



\*Units are in inches

**Have any questions or concerns? We're here to help!**

E-mail us at [info@smartarmortech.com](mailto:info@smartarmortech.com)