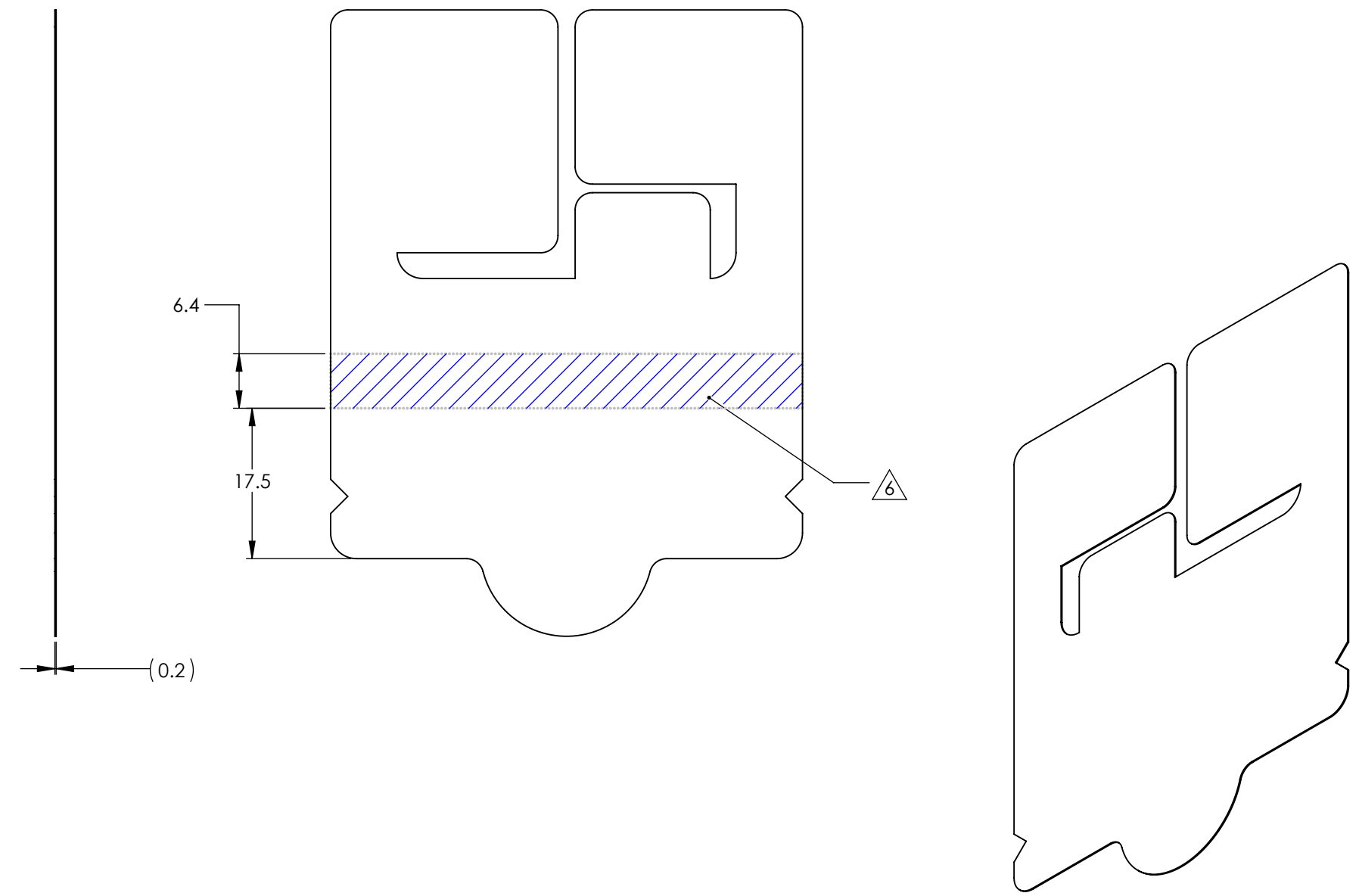
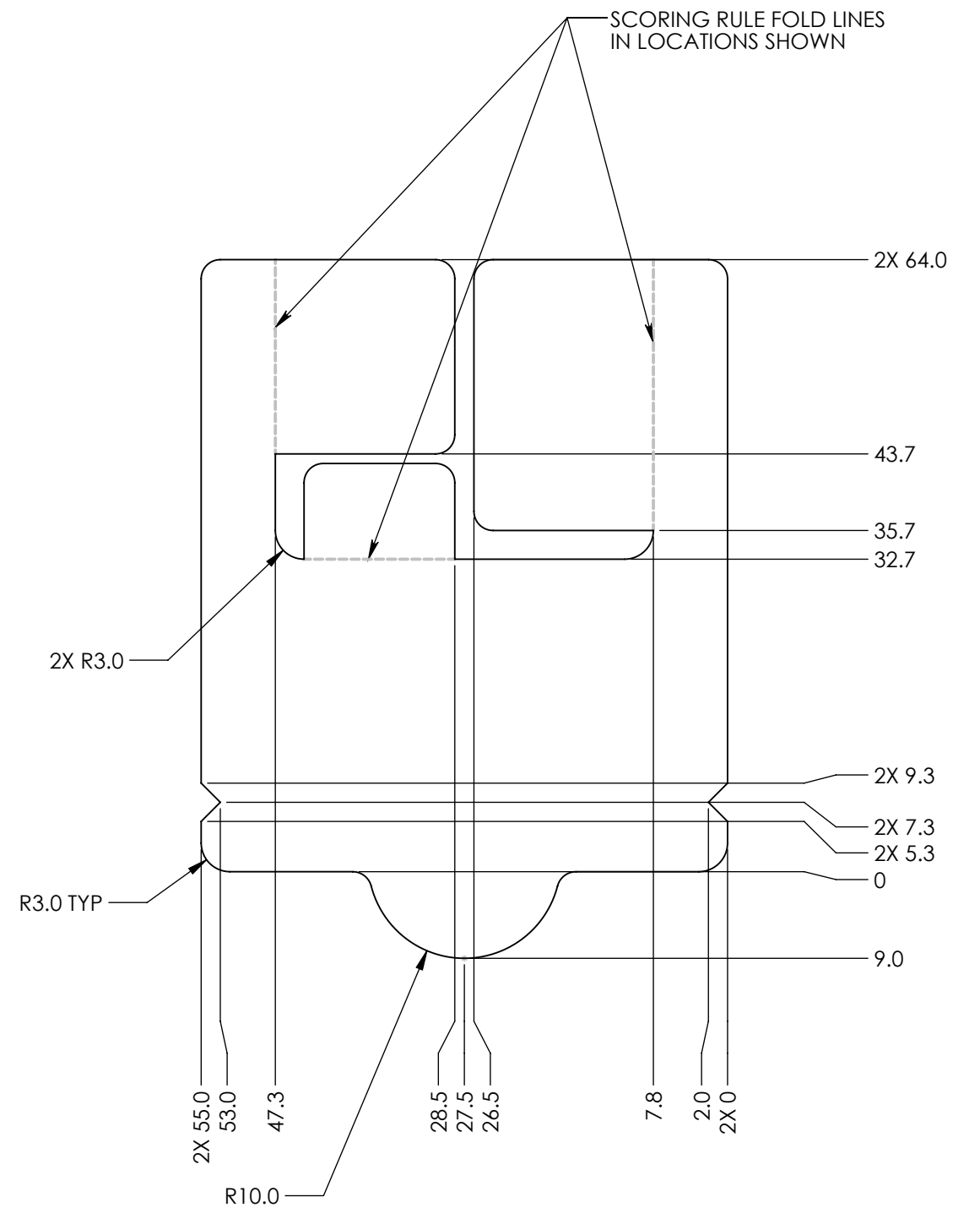


REVISIONS			
REV.	DESCRIPTION	DATE	APPROVED
01	INITIAL RELEASE FOR PRODUCTION APPROVAL	6/29/2017	
02	CHANGE SIZING, UPDATE ADHESIVE NOTE	7/14/2017	
03	UPDATE PER SMART ARMOR INPUT	11/2/2017	



NOTES:

- DESCRIPTION: MOUNTING TEMPLATE, SMARTCUBE
- MATERIAL: PET SHEET, 0.18mm (.007 INCH) THICK
- TEXTURE: NONE
- COLOR: CLEAR
- PRINT BOTH SIDES WITH ARTWORK DEFINED BY FILE "01 18141-01-ARTWORK, MOUNTING TEMPLATE". ENSURE SIDEDNESS OF PRINTING IS CORRECT ACCORDING TO ARTWORK FILE.

6. ADHESIVE: APPLY DOUBLE SIDED TEMPORARY ADHESIVE (3M 238 OR EQUIVALENT) WITH TRANSFER LAYER IN LOCATION SHOWN.

MODEL FILENAME	0118116-01-Mounting Template	MODEL REV.	03	DWG. NO.	0118116-01	DWG. REV.	03	SCALE	2:1
DRAWN BY		E. YOUNG 06/29/2017		ENGINEER		E. YOUNG 06/29/2017		SH 1 OF 1	
DWG. TITLE				MOUNTING TEMPLATE					
DWG. FILENAME				0118116-01-Mounting Template					



THIS DOCUMENT CONTAINS CONFIDENTIAL INFORMATION. DO NOT DISCLOSE TO OR DUPLICATE FOR OTHERS EXCEPT AS AUTHORIZED BY ARTIFEX RDE LLC. FOR ANY ADDITIONAL INFORMATION PLEASE CONTACT ARTIFEX RDE AT WWW.ARTIFEXRDE.COM OR (760) 704-0030. ARTIFEX RDE ENCINITAS, CA.